

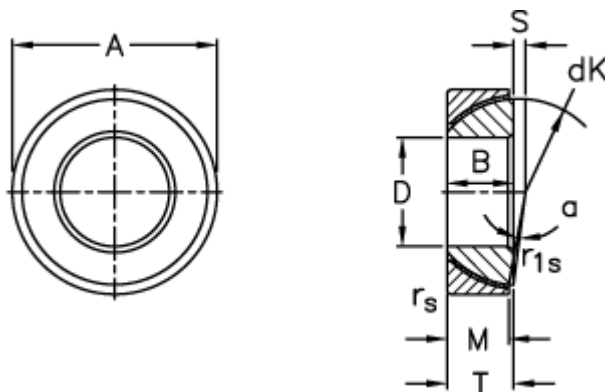
Data Sheet



Article number: 03510090

Description: Fluro Rod end GE 90SW

Measures



A = 140 0 -0,020

B = 32

D = 90 0 -0,020

dK = 128.5

Dynamic load C (kN) = 625

M = 28

rs, r1s min = 1.5

S = 10.1

Static load C0 (kN) = 1250

T = 32 +0,25 -0,60

Tilt angle = 3.5

Weight = 2090